

WATER DISPOSAL

PRODUCT CATALOGUE

CSM240 / CSM500

VORTEX SEWAGE PUMP

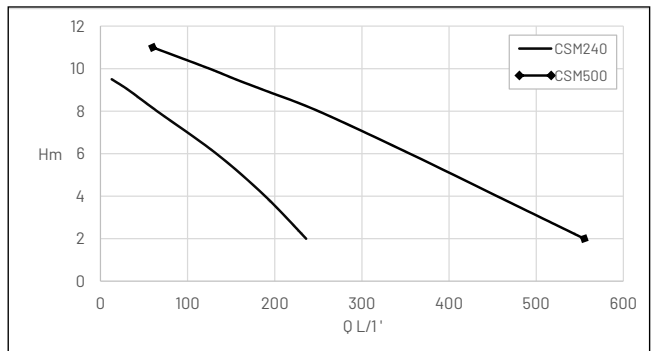
- Heavy duty construction
- Up to 35 mm free passage
- Vortex impeller
- Automatic float for single phase models
- Hmax to 13 m
- Qmax to 600 LPM
- 3 models available



DESCRIPTION

The CSM range of vortex impeller submersible pumps are made from heavy duty cast iron and high grade stainless steel. They operate completely immersed in the liquid to be pumped which provides for the cooling of the motor from the outside. Single phase versions are equipped with a float switch for automatic operation and a built-in auto-cut protector (CSM240: thermal). Designed for pumping sewage wastewater and ground water containing particles up to 35 mm in diameter.

PERFORMANCE



Type	Delivery head H [m]	2	4	6	8	10
CSM240VF	Flow rate Q [m ³ /h]	-	13.3	9.0	3.6	-
CSM500V F/T		32.0	27.0	22.5	17.6	12

We reserve the right to change specifications without notice.

This data is represented in the performance curve as a limit of application.

SCOPE OF SUPPLY

Pump ready for connection with 2 bolt flange connection [2" CSM240 / 3" CSM500], respective flange adaptor to FI BSP and hose connector [2" CSM240 / 3" CSM500], cable and plug [single phase models], and automatic level float switch [single phase models].

MECHANICAL DATA

Pump	Vertical single-stage
Free passage	35 / 30 mm
Bearing	Self-lubricating ball bearings
Oil chamber	Yes
Mechanical seal	Double mechanical seals (lubricated in oil chamber)
Shaft	Stainless steel

Impeller	Cast iron
Motor housing	Stainless steel
Pump housing	Cast iron
Submersible	Yes
Temperature max.	40°C

ELECTRICAL DATA

Power line	10m H07RN-F
Type of enclosure	IP 68

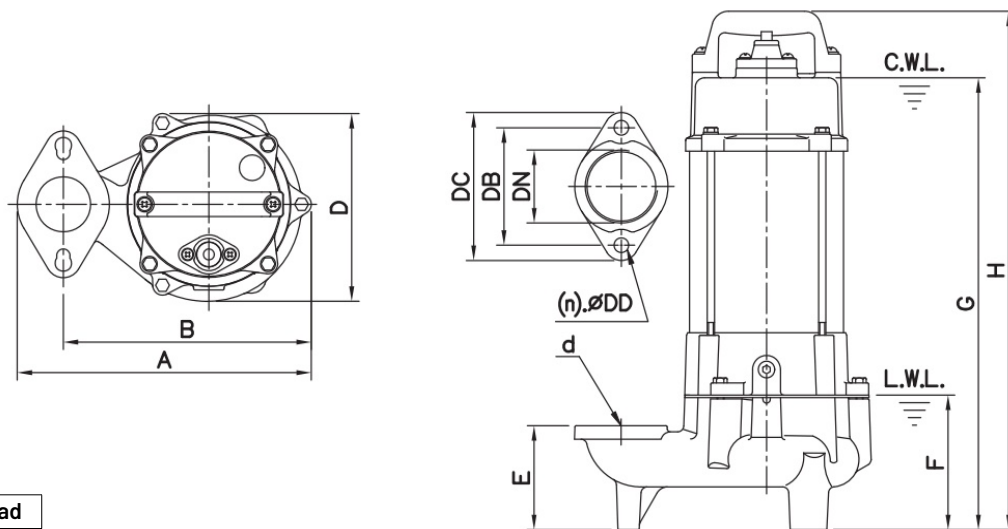
Insulation class	F
Rotation speed	2850

Type	Code No.	Voltage	Motor rating (kW) P2	Current (A)	Starting	Start cap.	Run cap.	Free passage (mm)	Weight
With built-in level control									
CSM240VF	CSM240VF	1/N/PE~230 V	0.4	3.3	PSC	8µF	-	35	17 kg
CSM500VF	CSM500VF	1/N/PE~230 V	0.75	5.2	PSC	12µF	-	30	19 kg
Without level control									
CSM500VT	CSM500VT	3/N/PE~415 V	0.75	1.9	DOL	-	-	30	18 kg

PSC: Permanently Split Capacitor CS/CR: Capacitor Start/Capacitor Run (centrifugal switch)

DOL: Direct On Line

Dimensions CSM240 (mm)



Female Thread	
PF	NPT

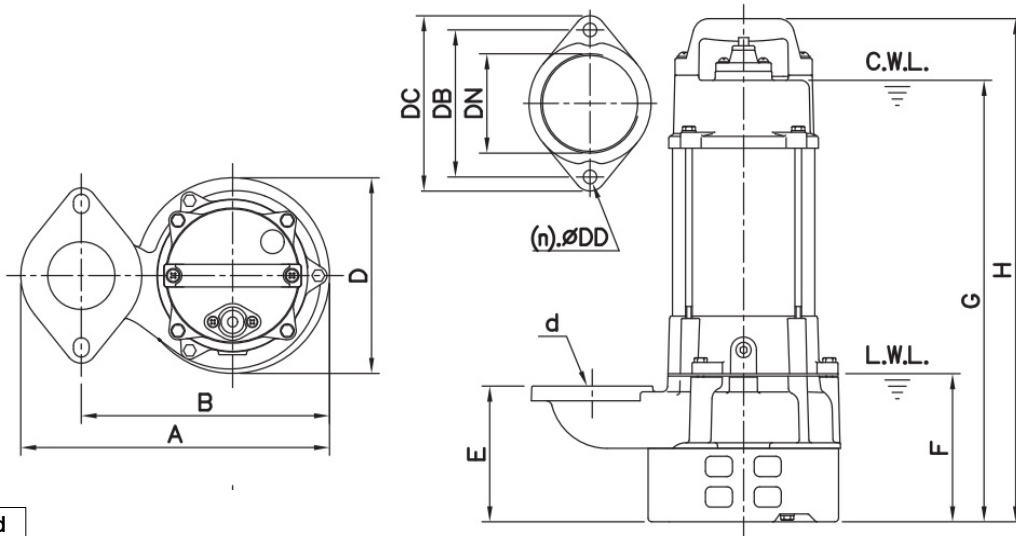
Model	d	A	B	D	E	F	G	H	WT1	DN	DB	DC	DD
CSM240VF	50	243	205	154	85	370	370	424	16	50	96	121	12

C.W.L.: Continuous Running Water Level L.W.L.: Lowest Running Water Level

CSM

VORTEX SEWAGE PUMP

Dimensions CSM500 (mm)



Female Thread	
PF	NPT

Model	d	A	B	D	E	F	G	H	WT1	Elbow (Flange Set)	DN	DB	DC	DD
CSM500VF	80	276	222	173	120	131	391	445	18	EF3-130	80	130	155	12
CSM500VT	80	276	222	173	120	131	391	445	17	EF3-130	80	130	155	12

C.W.L.: Continuous Running Water Level L.W.L.: Lowest Running Water Level

PUMP CONTROLLER

Type	Code no.	Single pump controller	Dual pump controller	Float switch 10 m	Float switch 15 m	Float switch 20m	Float switch 30 m	Float switch 40 m
With built-in level control								
CSM240VF	CSM240VF	PPC-15002-B	PPC-30010-B	FSW-10M	FSW-15M	FSW-20M	FSW-30M	FSW-40M
CSM500VF	CSM500VF	PPC-15002-B	PPC-30010-B					
Without level control								
CSM500VT	CSM500VT	PPC-15006-A	PPC-30030-A	FSW-10M	FSW-15M	FSW-20M	FSW-30M	FSW-40M