

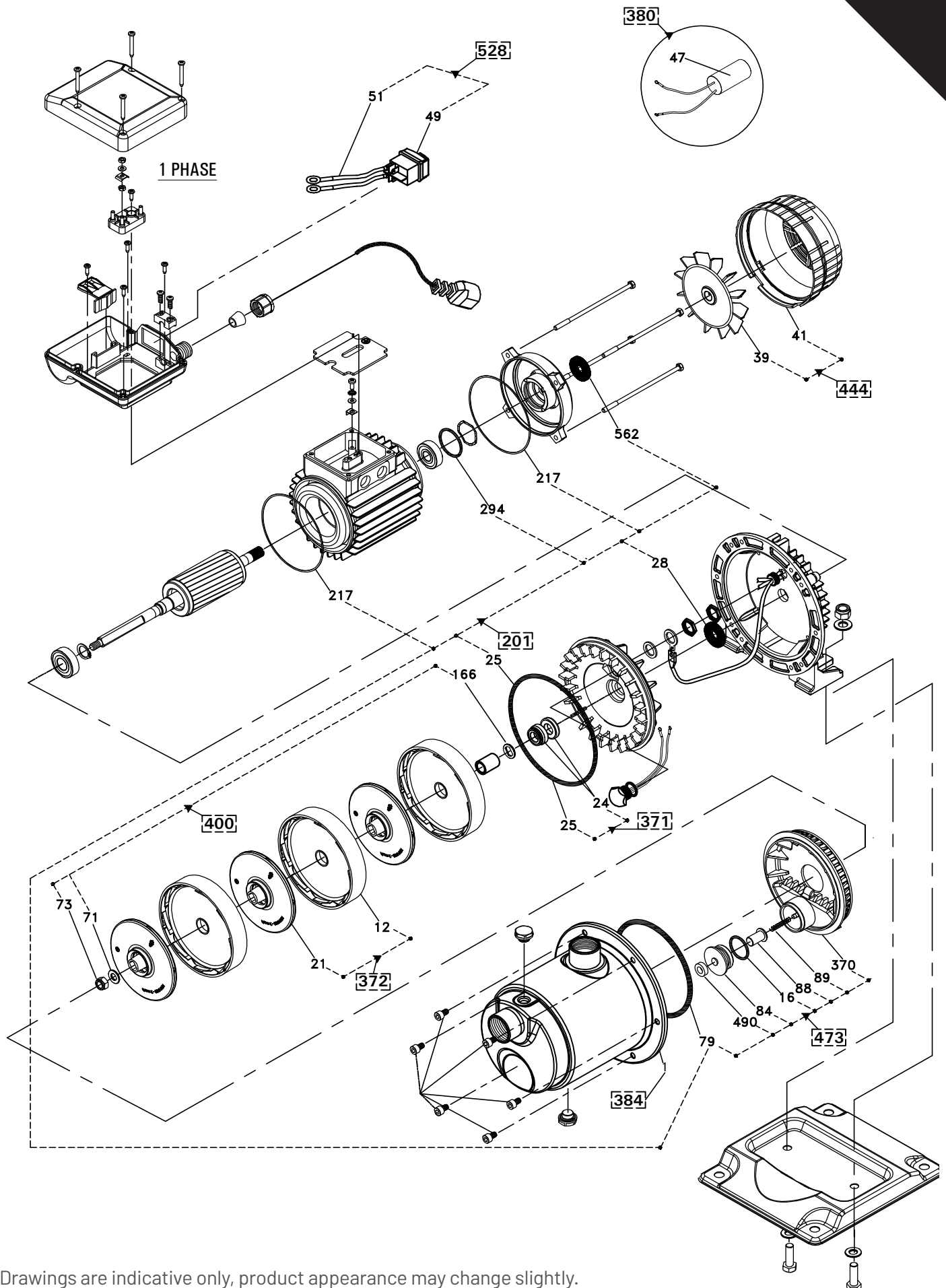
MULTI EVO

SPARE PARTS

KITS & EXPLODED DRAWINGS



MULTIEVO A 3 & 5

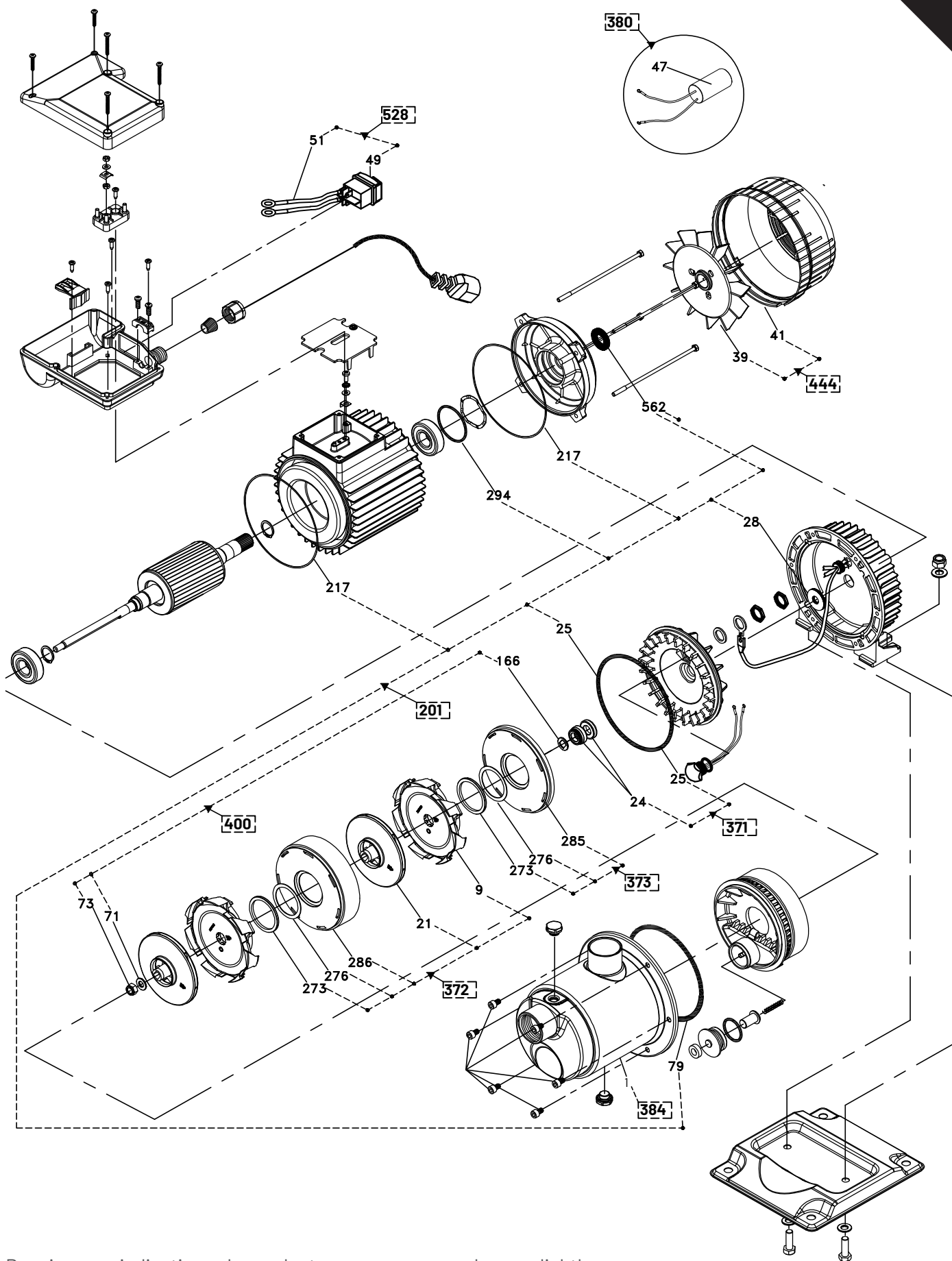


Drawings are indicative only, product appearance may change slightly.

MULTI EVO A 3 & 5

		Part Number							
		OME340	OME350	OME360	OME40	OME550	OME560		
		Model							
Kit Ref. No.	Kit Des.	Comp. Ref. No.	Component Des.	Multi Evo A 3-40	Multi Evo-A 3-50	Multi Evo-A 3-60	Multi Evo-A 5-40	Multi Evo-A 5-50	Multi Evo-A 5-60
		25	O-RING (PUMP BODY ~)	1PC				1PC	1PC
		28	WATER SLINGER	1PC				1PC	1PC
		79	GASKET (PUMP BODY ~)	1PC				1PC	1PC
201	GASKET KIT	217	GASKET (IP55 ~)	2PCS	ZBR45820	ZBR45830		2PCS	ZBR45840 2PCS
		294	O-RING (BEARING ~)	1PC				1PC	1PC
		562	WATER SLINGER	1PC				1PC	1PC
		24	SEAL (COMPLETE MECHANICAL ~)						1PC
371	MECHANICAL SEAL KIT	25	O-RING (PUMP BODY ~)			ZBR25620			1PC
		166	WASHER (SEAL COMPRESSION ~)						1PC
372	HYDRAULIC KIT	12	DIFFUSER (WELDED ~)		ZBR45880		1PC	ZBR45890	1PC
		21	IMPELLER				1PC		1PC
380	CAPACITOR KIT	47	CAPACITOR	1PC	ZBR24420	1PC	ZBR24420	1PC	ZBR20390
384	PUMP BODY KIT	1	PUMP BODY	1PC	ZBR46050	1PC	ZBR46050	ZBR46060	1PC
		71	WASHER						1PC
400	END SHAFT FASTENERS KIT (KIT-M)	73	NUT				ZBR46100		1PC
		166	WASHER (SEAL COMPRESSION ~)						1PC
444	FAN KIT	39	FAN (COOLING ~)	1PC	ZBR44800		ZBR44810	1PC	ZBR44820
		41	COVER (FAN ~)	1PC				1PC	1PC
		16	O-RING (NOZZLE ~)						1PC
		79	GASKET (PUMP BODY ~)						1PC
473	SELF-PRIMING SUCTION FLANGE KIT	84	PLUG (FRONT ~)				ZBR28140		1PC
		88	SHUTTER						1PC
		89	SPRING (SHUTTER ~)						1PC
		370	SELF-PRIMING SUCTION FLANGE						1PC
		490	RUBBER SPACER						1PC
528	SWITCH KIT	49	SWITCH			ZBR37980		1PC	ZBR56760
		51	CABLE (SWITCH ~)					1PC	1PC

MULTIEVO A 8



Drawings are indicative only, product appearance may change slightly.

MULTI EVO A 8

Model	Part Number
Multi EVO A 8	OME850

Kit Ref. No.	Kit Description	Component Ref. No.	Component Description	Model
				Multi Evo 8-50
201	GASKET KIT	25	O-RING (PUMP BODY ~)	1PC
		28	WATER SLINGER	1PC
		79	GASKET (PUMP BODY ~)	1PC
		217	GASKET (IP55 ~)	2PC
		294	O-RING (BEARING ~)	1PC
		562	WATER SLINGER	1PC
371	MECHANICAL SEAL KIT	24	SEAL (COMPLETE MECHANICAL ~)	1PC
		25	O-RING (PUMP BODY ~)	1PC
372	HYDRAULIC KIT	9	DIFFUSER	1PC
		21	IMPELLER	1PC
		273	RING (STOP ~)	1PC
		276	RING (GUIDE ~)	1PC
		286	CHAMBER (INTERMEDIATE ~ W/O DIFFUSER)	1PC
373	HYDRAULIC KIT, LAST STAGE	273	RING (STOP ~)	1PC
		276	RING (GUIDE ~)	1PC
		285	CHAMBER (UPPER ~)	1PC
380	CAPACITOR KIT	47	CAPACITOR	1PC
384	PUMP BODY KIT	1	PUMP BODY	1PC
400	END SHAFT FASTENERS KIT(KIT-M)	71	WASHER	1PC
		73	NUT	1PC
		166	WASHER (SEAL COMPRESSION ~)	1PC
444	FAN KIT	39	FAN (COOLING ~)	1PC
		41	COVER (FAN ~)	1PC
528	SWITCH KIT	49	SWITCH	1PC
		51	CABLE (SWITCH ~)	1PC



1-21 Monash Drive | Dandenong South, VIC 3175 | Australia | 1300 137 344 | pentair.com.au

Information contained here-in remains the property of Pentair Australia Holdings Pty Ltd under Australian copyright law. Content may not be reproduced or transmitted without our prior written permission. All indicated Pentair trademarks and logos are property of Pentair. Third party registered and unregistered trademarks/logos are the properties of their respective owners.

Disclaimer: Pentair reserves the right to change product specifications and products details. Product images are for reference purposes only and may not represent the actual/current product.

©2020 Pentair. All rights reserved.